

COOKED FROZEN IQF

Langostinos

PRODUCT CHARACTERISTICS

Specie: Langostinos (Pleuroncodes monodon / Cervimunida johny)

Product: Cooked & Peeled Frozen, Cooked Shell On Frozen

Presentation: IQF 2 Lbs Bag

Uses: Foodservice & Retail



Langostinos are fully cooked, have a meaty bite and a sweet flavor that works well as an added ingredient or all on its own steamed, grilled or broiled.



www.hsf.cl

Phone +56 65 223 4140

Comercial Nahuelbuta Ltda. Klenner 215, Puerto Varas, Chile

SIZE PRESENTATION

COOKED & PEELED

100 / 200 Ct/Lb

70 / 120 Ct/Lb

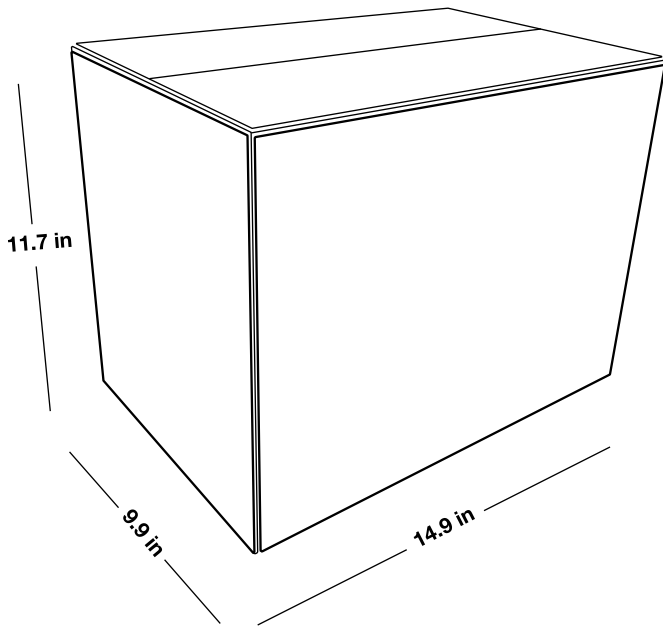
COOKED SHELL ON

90 / 170 Ct/Lb

50 / 90 Ct/Lb

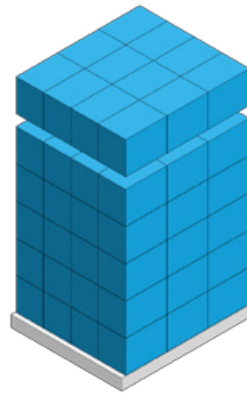
BOX DIMENSIONS

20# Box



PALLET

Ti-Hi



Pallet: 48 x 40 inch

n packages: 72

n layers: 6

Surface usage: 91.9%

Volume usage: 82.7%

Total weight: 1440 lbs