



COOKED MEAT

# Patagonian Rock Crab

## PRODUCT CHARACTERISTICS

---



**Specie:** Patagonian Rock Crab (*Cancer edwardsii*)

**Products:** Whole, Claw & Arm (scored or unscored)

**Uses:** Foodservice & Retail



Naturally sweet Patagonian Rock Crab is very flavorful and comes in the claw or meat for many different applications. The claws can be steamed or breaded and fried. The meat is great in a salad or as an ingredient.



[www.hsf.cl](http://www.hsf.cl)

Phone +56 65 223 4140

Comercial Nahuelbuta Ltda. Klenner 215, Puerto Varas, Chile

## SIZE PRESENTATION

### WHOLE

0,2 - 0,5 Lbs

0,5 - 0,8 Lbs

0,8 - 1,6 Lbs

### CLAW & ARM

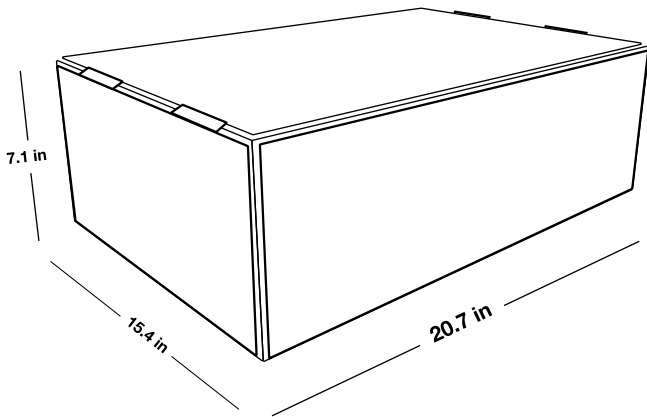
16 - 20 Ct/Lbs

8 - 16 Ct/Lbs

4 - 8 Ct/Lbs

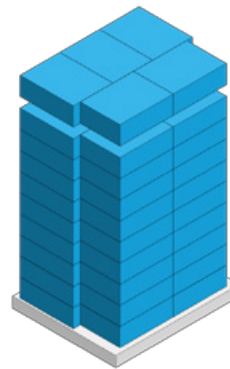
## BOX DIMENSIONS

### 20# Box



## PALLET

### Ti-Hi



**Pallet:** 48 x 40 inch

**n packages:** 50

**n layers:** 10

**Height:** 78"

**Surface usage:** 82.9%

**Volume usage:** 75.4%

**Total weight:** 1000 lbs